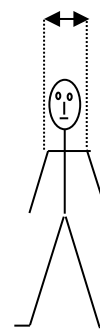


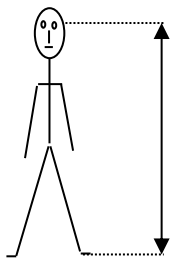
Arm span
(e.g. turning circle)

Imperial	Metric



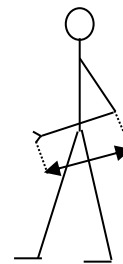
Shoulder width
(e.g. doorways)

Imperial	Metric



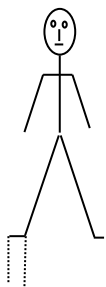
Eye height

Imperial	Metric



Forearm

Imperial	Metric

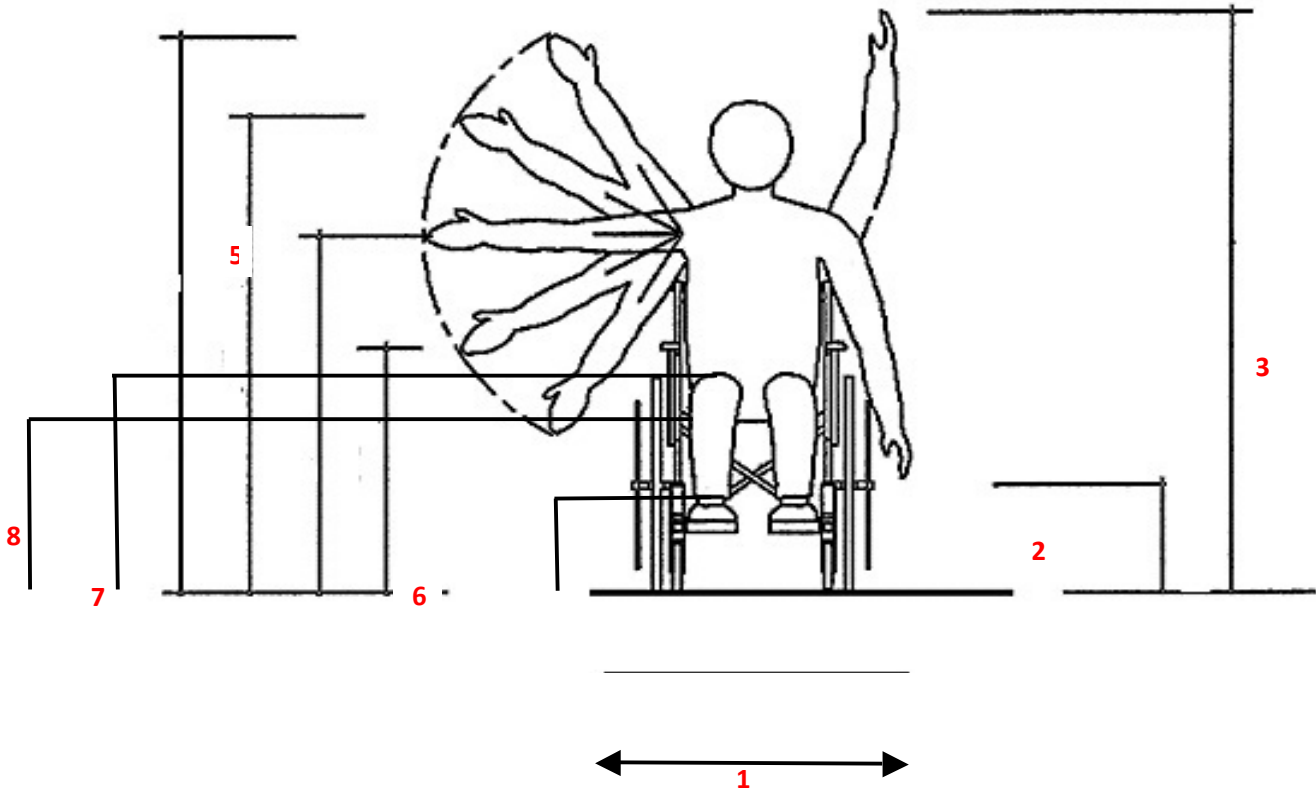


Foot

Imperial	Metric

Viva Access Ltd

Critical seated measurements and reach ranges



No.	Description	Distance	
1.	Widest seated width (elbow-to-elbow when propelling backwards)		
2.	Lowest seated reach (from floor to wrist)	Left	Right
3.	Highest seated reach (from floor to wrist)	Left	Right
4.	Furthest seated shoulder-height reach (from floor to wrist)	Left	Right
5.	Eye level (from floor)		
6.	Height of arm rests		
7.	Top of knee to floor	Left	Right
8.	Back of knee to floor (foot on footplate and floor)	Footplate	Floor
9.	Top of foot to floor	Left	Right
Other considerations			
	Depth from knee to body (nearest part of body i.e. hip, stomach)	Left	Right
	Bottom of footplate to floor	Left	Right
	Seat Height (depressed)		
	Overall length of chair		
	Turning circle		

MEASURING DOORWAYS

(measure a doorway in your home or office)

Clear opening width	Effective clear width	Door leaf width	Structural opening

Viva Access Ltd